

2009

# A Critical Constant for the $k$ Nearest-Neighbour Model

Paul Balister

Béla Bollobás

Amites Sarkar

*Western Washington University*, amites.sarkar@wwu.edu

Mark Walters

Follow this and additional works at: [https://cedar.wwu.edu/math\\_facpubs](https://cedar.wwu.edu/math_facpubs)



Part of the [Mathematics Commons](#)

---

## Recommended Citation

Balister, Paul; Bollobás, Béla; Sarkar, Amites; Walters, Mark. A critical constant for the  $k$  nearest-neighbour model. *Adv. in Appl. Probab.* 41 (2009), no. 1, 001--012. doi:10.1239/aap/1240319574. <http://projecteuclid.org/euclid.aap/1240319574>.

This Article is brought to you for free and open access by the College of Science and Engineering at Western CEDAR. It has been accepted for inclusion in Mathematics by an authorized administrator of Western CEDAR. For more information, please contact [westerncedar@wwu.edu](mailto:westerncedar@wwu.edu).

# A critical constant for the $k$ -nearest neighbour model

Paul Balister\*    Béla Bollobás\*<sup>†</sup>    Amites Sarkar\*    Mark Walters<sup>‡</sup>

October 14, 2008

## Abstract

Let  $\mathcal{P}$  be a Poisson process of intensity one in a square  $S_n$  of area  $n$ . For a fixed integer  $k$ , join every point of  $\mathcal{P}$  to its  $k$  nearest neighbours, creating an undirected random geometric graph  $G_{n,k}$ . We prove that there exists a critical constant  $c_{\text{crit}}$  such that for  $c < c_{\text{crit}}$ ,  $G_{n, \lfloor c \log n \rfloor}$  is disconnected with probability tending to 1 as  $n \rightarrow \infty$ , and for  $c > c_{\text{crit}}$ ,  $G_{n, \lfloor c \log n \rfloor}$  is connected with probability tending to 1 as  $n \rightarrow \infty$ . This answers a question posed by the authors in [1].

Let  $\mathcal{P}$  be a Poisson process of intensity one in a square  $S_n$  of area  $n$ . For a fixed integer  $k$ , we join every point of  $\mathcal{P}$  to its  $k$  nearest neighbours, creating an undirected random geometric graph  $G_{S_n, k} = G_{n, k}$  in which every vertex has degree at least  $k$ . The connectivity of these graphs was studied by the present authors in [1]. It is not hard to see that  $G_{n, k}$  becomes connected around  $k = \Theta(\log n)$ , and we proved in [1] that if  $k(n) \leq 0.3043 \log n$  then the probability that  $G_{n, k(n)}$  is connected tends to zero as  $n \rightarrow \infty$ , while if  $k(n) \geq 0.5139 \log n$  then the probability that  $G_{n, k(n)}$  is connected tends to one as  $n \rightarrow \infty$ . However, we were unable to prove the natural conjecture that there exists a critical constant  $c_{\text{crit}}$  such that for  $c < c_{\text{crit}}$ ,

$$\mathbb{P}(G_{n, \lfloor c \log n \rfloor} \text{ is connected}) \rightarrow 0$$

and for  $c > c_{\text{crit}}$ ,

$$\mathbb{P}(G_{n, \lfloor c \log n \rfloor} \text{ is connected}) \rightarrow 1$$

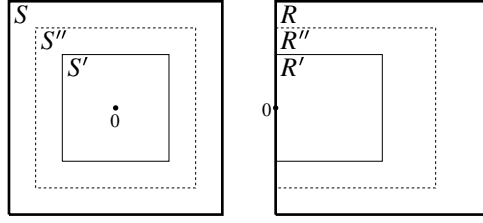
as  $n \rightarrow \infty$ . In this paper we prove this conjecture.

---

\*University of Memphis, Department of Mathematics, 3725 Norriswood, Memphis, TN 38152, USA

<sup>†</sup>Trinity College, Cambridge CB2 1TQ, UK

<sup>‡</sup>Peterhouse, Cambridge CB2 1RD

Figure 1: Regions used in defining  $A_k, A'_k, B_k, B'_k$ .

Central to the proof is the observation that, while there are no isolated vertices in  $G_{n,k}$ , the obstructions to connectivity are nonetheless *small*. More precisely, we have the following lemma, which is immediate from the proofs of Lemmas 2 and 6 of [1]. Throughout the paper, we will have  $k = \Theta(\log n)$ .

**Lemma 1.** *For fixed  $c > 0$  and  $L$ , there exists  $c' = c'(c, L) > 0$ , depending only on  $c$  and  $L$ , such that for any  $k \geq c \log n$ , the probability that  $G_{n,k}$  contains two components each of (Euclidean) diameter at least  $c' \sqrt{\log n}$ , or any edge of length at least  $c' \sqrt{\log n}$ , is  $O(n^{-L})$ .*

This lemma enables us to restrict attention to “local” events, whose probabilities we will estimate. Although heuristics and numerical evidence suggest that the actual obstructions to connectivity arise far from the boundary of  $S_n$ , we were unable to prove this in [1]. Therefore we must consider the following two pairs of families of events.

Let  $M$  be a large integer, which we will choose in a moment. For the first pair, we consider a Poisson process  $\mathcal{P}_S$  of intensity one in the square  $S = [-\frac{1}{2}M\sqrt{k}, \frac{1}{2}M\sqrt{k}]^2$  of area  $M^2k$  centred at the origin, and construct the random graph  $G_{S,k} = G_{M^2k,k}$  as above. The event  $A_k$  occurs when  $G_{S,k}$  contains a component all of whose vertices lie within the central square  $S' = \frac{1}{2}S = \{\frac{x}{2} : x \in S\}$  of area  $\frac{1}{4}M^2k$ , and the event  $A'_k$  occurs when  $G_{S,k}$  contains a component all of whose vertices lie within the central square  $S'' = \frac{3}{4}S = \{\frac{3x}{4} : x \in S\}$  of area  $\frac{9}{16}M^2k$ .

For the second family, let  $\mathcal{P}_R$  be a Poisson process of intensity one in the square  $R = [0, M\sqrt{k}] \times [-\frac{1}{2}M\sqrt{k}, \frac{1}{2}M\sqrt{k}]$  of area  $M^2k$ , and join every point of  $\mathcal{P}_R$  to its  $k$  nearest neighbours to form the random geometric graph  $G_{R,k}$ . The event  $B_k$  occurs when  $G_{R,k}$  contains a component all of whose vertices lie within the square  $R' = \frac{1}{2}R$ , and the event  $B'_k$  occurs when  $G_{R,k}$  contains a component all of whose vertices lie within the square  $R'' = \frac{3}{4}R$  (see Figure 1).

We now discuss the choice of  $M$ . It should be large enough to ensure that the probability of seeing a long edge or two large components (relative to the size of  $S$  or  $R$ ) is much smaller

than the probabilities of the four events above. Specifically, we shall choose  $M$  so that  $M \geq 40$  and

$$\mathbb{P}(G_{n,k} \text{ contains two components with diameter greater than } \frac{1}{8}M\sqrt{k}) = o(e^{-9k}) \quad (1)$$

(see Lemma 4 and Corollary 6). Now we may assume, from the results in [1], that  $0.30 \log n < k < 0.52 \log n$ , so that

$$n^{-5} = o(e^{-9k}) \quad \text{and} \quad \frac{1}{8}\sqrt{k} > \frac{1}{15}\sqrt{\log n}.$$

Therefore, using the notation of Lemma 1, it will be enough to take

$$M = \max\{15c'(0.3, 5), 40\}.$$

From now on, no more reference will be made to the choice of  $M$ .

Our first target is to estimate  $p_1(k) = \mathbb{P}(A_k)$  and  $p_2(k) = \mathbb{P}(B_k)$ . Specifically, we will show that

$$p_1(k) = e^{-(c_1+o_k(1))k} \quad \text{and} \quad \max(p_1(k), p_2(k)) = e^{-(c_2+o_k(1))k}.$$

Defining

$$f_1(k) = -\frac{\log p_1(k)}{k} \quad \text{and} \quad f_2(k) = -\frac{\log p_2(k)}{k},$$

we will prove the following.

**Theorem 2.**

$$c_1 = \lim_{k \rightarrow \infty} f_1(k) \quad \text{and} \quad c_2 = \lim_{k \rightarrow \infty} \min\{f_1(k), f_2(k)\} \quad \text{exist.}$$

The proof of this theorem, given in the next section, will occupy most of the paper. Having established it, two straightforward tiling arguments will complete the proof of the conjecture. The main idea in the proof of Theorem 2 is that, for a fixed  $\varepsilon > 0$ , there is a decomposition of the probability space of  $G_{S,k}$  (or  $G_{R,k}$ ) into a finite set  $\mathcal{F}(\varepsilon)$  of disjoint events or *configurations*, such that the knowledge of which configuration occurs almost always determines “up to  $\varepsilon$ ” whether or not  $A_k$  (or  $B_k$ ) occurs. Once we have this set of configurations, we can accurately estimate the probability of each one using the following lemma, which is Lemma 1 of [1]. (The proof of the lemma is just a simple computation.)

**Lemma 3.** *Let  $A_1, \dots, A_r$  be disjoint regions of  $\mathbb{R}^2$  and  $\rho_1, \dots, \rho_r \geq 0$  real numbers such that  $\rho_i|A_i| \in \mathbb{Z}$ . Then the probability that a Poisson process with intensity 1 has precisely  $\rho_i|A_i|$  points in each region  $A_i$  is*

$$\exp \left\{ \sum_{i=1}^r (\rho_i - 1 - \rho_i \log \rho_i) |A_i| + O(r \log_+ \sum \rho_i |A_i|) \right\}$$

with the convention that  $0 \log 0 = 0$ , and  $\log_+ x = \max(\log x, 1)$ .

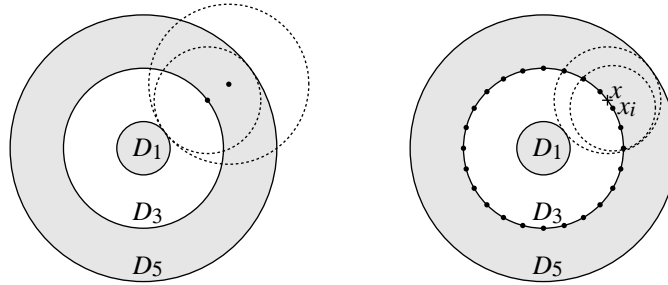


Figure 2: The regions  $D_1$ ,  $D_3$  and  $D_5$  used in the proof of Lemma 4.

One of the configurations for which  $A_k$  (or  $B_k$ ) occurs will dominate, in the sense that it will have the highest probability of all such configurations, and we will be able to read off the value of  $c_1$  (or  $c_2$ ) from it.

Occasionally, we will need to make the dependence of our geometric graphs on  $\mathcal{P}$  explicit, writing, for instance,  $G_{S,k}(\mathcal{P})$  instead of simply  $G_{S,k}$ . For the most part, however, we will only use the abbreviated notation.

## 1 Proof of Theorem 2

Let us fix  $k$  and estimate  $p_1(k) = \mathbb{P}(A_k)$  and  $p_2(k) = \mathbb{P}(B_k)$ . We will consider very fine discretizations of the square regions  $R$  and  $S$  (both of area  $M^2k$ ). In the following, we will frequently have to neglect certain “bad” events. We must show that the probability of each of these events is negligible compared to those of  $A_k$  and  $B_k$ . For this we will need lower bounds on  $p_1(k)$  and  $p_2(k)$ , or, more precisely, upper bounds on  $\limsup_{k \rightarrow \infty} f_1(k)$  and  $\limsup_{k \rightarrow \infty} f_2(k)$ . Such bounds are provided below. We follow the method of [1], although a version of this lemma (with larger constants) was obtained earlier by Xue and Kumar [2].

**Lemma 4.**

$$\limsup_{k \rightarrow \infty} f_1(k) \leq 8 \quad \text{and} \quad \limsup_{k \rightarrow \infty} f_2(k) \leq 8.$$

*Proof.* Consider a configuration of three concentric discs  $D_1$ ,  $D_3$  and  $D_5$ , of radii  $r$ ,  $3r$  and  $5r$  respectively, where  $\pi r^2 = k + 1$  (see Figure 2). Since the diameter of  $D_5$  is at most  $8\sqrt{k}$  and  $M \geq 40$ , one can choose the centre of the discs so that all the discs lie entirely within the central square  $S'$  (or  $R'$ ). Call the configuration *bad* if (I)  $D_1$  contains at least  $k + 1$  points, (II) the annulus  $D_3 \setminus D_1$  contains no points, and (III) the intersection of

$D_5 \setminus D_3$  with any disc of radius  $2r$  centred at a point on the boundary of  $D_3$  contains at least  $k + 1$  points. Now if the configuration is bad, then  $A_k$  (or  $B_k$ ) will occur, because the  $k$  nearest neighbours of a point in  $D_1$  all lie within  $D_1$  and the  $k$  nearest neighbours of a point outside  $D_3$  all lie outside  $D_3$ . (Otherwise, there would be a point  $x$  outside  $D_3$  and a disc centred at  $x$  touching  $D_1$  that contained fewer than  $k + 1$  points. But this disc contains a disc of radius  $2r$  about some point on the boundary of  $D_3$ , contradicting (III).) Hence there will be no edge connecting a point inside  $D_1$  to a point outside  $D_1$ . Condition (I) holds with probability about  $\frac{1}{2}$  (in fact, slightly more than  $\frac{1}{2}$ ), and condition (II) holds with probability  $e^{-8(k+1)}$ . Now consider Condition (III). Note that there is an  $\varepsilon > 0$  such that any disc of radius  $(2 - \varepsilon)r$  around any point  $x$  on the boundary of  $D_3$  intersects the annulus  $D_5 \setminus D_3$  in a region  $D_x$  of area  $2(k + 1)$ . It follows from the concentration of the Poisson distribution (see for instance Lemma 5) that the probability that  $D_x$  contains less than  $k + 1$  points is  $o_k(1)$ . Pick points  $x_1, \dots, x_t$  around the boundary of  $D_3$  so that any point of the boundary of  $D_3$  is within  $\varepsilon r$  of some  $x_i$ . Clearly we can choose  $t = \lceil 3\pi/\varepsilon \rceil$ , so that  $t$  is independent of  $k$ . Hence the probability that any  $D_{x_i}$  contains fewer than  $k + 1$  points is  $o_k(1)$ , but any disc of radius  $2r$  about  $x$  contains a disc of radius  $(2 - \varepsilon)r$  about some  $x_i$ . Thus the probability that any such  $x$  exists with the disc of radius  $2r$  about  $x$  containing fewer than  $k + 1$  points is  $o_k(t) = o_k(1)$ , and so Condition (III) holds with probability  $1 - o_k(1)$ . Since the events corresponding to conditions (I), (II) and (III) are independent,  $p_1(k), p_2(k) \geq e^{-(8+o_k(1))k}$  and the result follows.  $\square$

Recall that in the last section we defined four families of events  $A_k, A'_k, B_k$  and  $B'_k$ . We are only really interested in  $A_k$  and  $B_k$ ; the events  $A'_k$  and  $B'_k$  arise only because of a technicality, and it will be convenient to prove a lemma (Lemma 7) about them at the outset. In order to do this, we first establish a simple lemma bounding the Poisson distribution, and deduce a bound on the edge lengths in  $G_{S,k}$ .

**Lemma 5.** *If  $\rho > 1$  then*

$$\mathbb{P}(\text{Po}(A) > \rho A) \leq e^{(\rho-1-\rho \log \rho)A}.$$

*If  $\rho < 1$  then*

$$\mathbb{P}(\text{Po}(A) < \rho A) \leq e^{(\rho-1-\rho \log \rho)A}.$$

*Proof.* Let  $X \sim \text{Po}(A)$ . Then

$$\mathbb{E}(\rho^X) = \sum_{n=0}^{\infty} \rho^n \frac{A^n}{n!} e^{-A} = e^{(\rho-1)A}.$$

Therefore if  $\rho > 1$  then

$$\mathbb{P}(X > \rho A) \leq \mathbb{E}(\rho^{X-\rho A}) = e^{(\rho-1-\rho \log \rho)A},$$

and if  $\rho < 1$  then

$$\mathbb{P}(X < \rho A) \leq \mathbb{E}(\rho^{X-\rho A}) = e^{(\rho-1-\rho \log \rho)A}.$$

□

**Corollary 6.** *For any  $m$  with  $M^2k \leq m \leq n$  and  $0.3 \log n \leq k$ , the probability that  $G_{m,k}$  contains an edge of length at least  $\frac{1}{8}M\sqrt{k}$  is  $o(e^{-9k})$ .*

Note that this does not quite follow from Lemma 1, since reducing the area of the square, and hence the number of vertices, could in principle increase the number of long edges in the remaining graph.

*Proof.* If some vertex  $v$  of  $G_{m,k}$  has its  $k^{\text{th}}$  nearest neighbour at a distance more than  $\frac{1}{8}M\sqrt{k} \geq 5\sqrt{k}$ , then there must be fewer than  $k$  points within a quarter-disc of area  $\frac{\pi}{4}25k > 19k$  inside  $S_m$ . (We need to consider quarter-discs since  $v$  may be close to a corner of  $S_m$ . The lower bound  $M^2k \leq m$  ensures that the quarter-disc fits.) By Lemma 5, this occurs with probability at most  $e^{(1/19-1-(1/19)\log(1/19))19k} < e^{-15k}$ . The expected number of vertices where this will occur is thus  $O(me^{-15k}) = o(e^{-9k})$  since  $m \leq n \leq e^{k/0.3}$ . Thus the probability that  $G_{m,k}$  contains an edge of length at least  $\frac{1}{8}M\sqrt{k}$  is  $o(e^{-9k})$ . □

**Lemma 7.**

$$\begin{aligned} \mathbb{P}(A_k) &\leq \mathbb{P}(A'_k) \leq (4 + o_k(1))\mathbb{P}(A_k), \\ \mathbb{P}(B_k) &\leq \mathbb{P}(B'_k) \leq (2 + o_k(1))(\mathbb{P}(A_k) + \mathbb{P}(B_k)). \end{aligned}$$

*Proof.* Both lower bounds are immediate. For the first upper bound, fix a Poisson process with intensity 1 in the square  $S_n$  of area  $n$  centred at the origin. Let  $T$  be the square of side length  $\frac{5}{4}M\sqrt{k}$ , also centred at the origin. Note that for sufficiently large  $k$  and  $0.3 \log n \leq k \leq 0.52 \log n$ ,  $T \subseteq S_n$ , so we shall assume this in the following.

Cover  $T$  with four translates  $S_1, \dots, S_4$  of  $S$  as shown in Figure 3. We now define three “bad” events. Let  $E_1$  be the event that  $G_{n,k}$  contains two components of diameter greater than  $\frac{1}{8}M\sqrt{k}$ . By (1) we know that  $\mathbb{P}(E_1) = o(e^{-9k})$ . Let  $E_2$  be the event that some edge in either  $G_{n,k}$  or in one of the  $G_{S_i,k}$  is of length greater than  $\frac{1}{8}M\sqrt{k}$ . By Corollary 6,  $\mathbb{P}(E_2) = o(e^{-9k})$ . Finally, let  $E_3$  be the event that there is no component in  $G_{n,k}$  with at least one vertex outside of  $T$  and with diameter greater than  $\frac{1}{8}M\sqrt{k}$ . Note that if we divide some square  $\tilde{S}$  in  $S_n$  of area  $M^2k$  into  $(8M)^2$  small squares, each of side length

$\frac{1}{8}\sqrt{k}$ , then with probability bounded away from zero (independently of  $k$ ), there will be at least one, and at most  $\frac{k}{37}$  vertices in each small square. But then it is easy to see that every vertex in a small square is adjacent in  $G_{n,k}$  to every vertex in any neighbouring small square, provided that the original square is at least distance  $\frac{3}{8}\sqrt{k}$  from the boundary of  $\tilde{S}$  (see Figure 4). In this case, there will be a large component of  $G_{n,k}$  intersecting  $\tilde{S}$ . Since we can place  $\Omega(n/k) = \omega(k)$  independent copies of  $\tilde{S}$  in  $S_n$ , all avoiding  $T$ , we see that  $\mathbb{P}(E_3) = e^{-\omega(k)}$ . In particular,  $\mathbb{P}(E_3) = o(e^{-9k})$ .

Assume the event  $A'_k$  occurs, i.e., there is a small component  $C$  of  $G_{S,k}$  inside  $S'' = \frac{3}{4}S$ . Assume also that  $E = E_1 \cup E_2 \cup E_3$  does not hold. Then  $C$  must also be a component (or a union of components) in  $G_{n,k}$ , since the addition of vertices outside of  $S$  will not cause any new edge to form within  $S$ , and no vertex outside of  $S$  can be joined to a vertex in  $S''$ , since this edge would be of length greater than  $\frac{1}{8}M\sqrt{k}$  in  $G_{n,k}$ . Since  $E_3$  and  $E_1$  do not hold, there is no component of  $G_{n,k}$  of diameter greater than  $\frac{1}{8}M\sqrt{k}$  entirely within  $T$ . Thus  $C$  is of diameter at most  $\frac{1}{8}M\sqrt{k}$ . Since  $C$  lies inside  $S''$ , it must lie entirely within at least one of the four translates  $S'_i$  of  $S'$  corresponding to the  $S_i$ . (For example, if  $C$  contains any vertex in the top left quadrant of  $S''$ , then the whole component must lie in  $S'_1$  in Figure 3.) No edge occurs in  $E(G_{S_i,k}) \setminus E(G_{n,k})$  between vertices within  $S''_i$ , since otherwise there would be an edge from a vertex in  $S''_i$  to  $S_n \setminus S_i$  in  $G_{n,k}$  of length greater than  $\frac{1}{8}M\sqrt{k}$ . Since no edge of  $G_{S_i,k}$  is longer than  $\frac{1}{8}M\sqrt{k}$ , no such edge joins a vertex in  $S'_i$  to a vertex outside  $S''_i$ . Thus  $C$  remains a component in  $G_{S_i,k}$  and lies entirely within  $S'_i$ . Hence one of the events  $A_k$  corresponding to the four copies  $S_i$  of  $S$  occurs. Thus  $\mathbb{P}(A'_k \setminus E) \leq 4\mathbb{P}(A_k)$  and so  $\mathbb{P}(A'_k) \leq 4\mathbb{P}(A_k) + \mathbb{P}(E)$ . But  $\mathbb{P}(E) = o(e^{-9k})$ , so by Lemma 4,  $\mathbb{P}(A'_k) \leq (4 + o_k(1))\mathbb{P}(A_k)$ .

The upper bound for  $\mathbb{P}(B'_k)$  is similar. In this case, the squares  $T$  and  $S_n$  are both aligned so as to share part of their leftmost boundaries with  $R$  (see Figure 3). The region  $R''$  is covered by four central squares  $R'_1, R'_2, S'_1,$  and  $S'_2$ , of the four squares  $R_1, R_2, S_1,$  and  $S_2$ , all of which lie in  $T$ . There are two possibilities. Either our small component  $C$  in  $R''$  lies in the left half of  $R$ , and hence in one of the  $R'_i$ , an event which has probability at most  $(2 + o_k(1))\mathbb{P}(B_k)$  by an argument similar to the one above. The other possibility is that the small component strays into the right half of  $R$ , and so lies in one of the  $S'_i$ , an event with probability at most  $(2 + o_k(1))\mathbb{P}(A_k)$ . This proves the lemma.  $\square$

Now we will restrict attention to  $A_k, p_1(k)$  and  $f_1(k)$ . Fix  $0 < \varepsilon < \frac{1}{2}$  and  $M$  and choose  $N = N(\varepsilon, M) \gg M^2/\varepsilon$ . Now tile the  $M\sqrt{k} \times M\sqrt{k}$  square  $S$ , centred at 0, with  $(MN)^2$  cells of side length  $\ell = \sqrt{k}/N$  and hence area  $\ell^2 = k/N^2$ .

Next we wish to define a *configuration*. For a fixed instance of  $\mathcal{P}_S$ , we label each cell  $Q_i$  with the *approximate density*  $d(Q_i)$  of points in  $Q_i$ , where  $d(Q_i)$  is defined precisely by



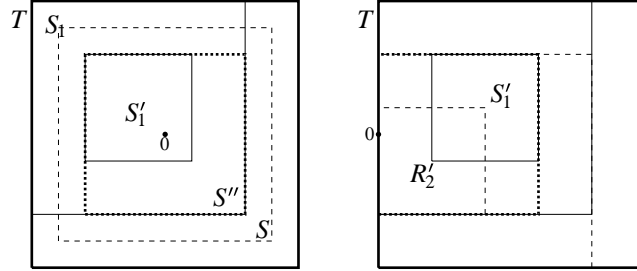


Figure 3: Left: Square  $T$  is covered by squares  $S_1, \dots, S_4$  aligned to the four corners of  $T$  (solid thin line, only  $S_1$  shown). The smaller squares  $S'_i$  (solid thin line) then cover  $S''$  (dotted line). The square  $S$  (dashed line) is also shown. Right: corresponding picture for  $B'_k$ , with  $R''$  (dotted line) covered by squares  $S'_1, S'_2, R'_1, R'_2$  (only  $S'_1$  and  $R'_2$  shown).

the formula

$$d(Q_i) = \begin{cases} 0 & \text{if } Q_i \text{ contains no points of } \mathcal{P}_S \\ \frac{\lceil N^3 r/k \rceil}{N} & \text{if } Q_i \text{ contains } r \text{ points of } \mathcal{P}_S, \text{ where } r \leq k \\ \infty & \text{if } Q_i \text{ contains more than } k \text{ points of } \mathcal{P}_S. \end{cases} \quad (2)$$

We call such a labelled square  $S$  a *configuration*  $F$ , and we say that  $\mathcal{P}_S$  has (or belongs to) type  $F$ . Note that the total number of configurations is exactly

$$(N^3 + 2)^{(MN)^2}.$$

The aim is that the configuration  $F$  should contain enough information about  $\mathcal{P}_S$  to determine whether or not  $A_k$  occurs up to a small error, while the set of all possible configurations is nevertheless finite.

The next step is to identify a set of undesirable, or *bad*, configurations, and discard them. Of course, we are really discarding all instances of  $\mathcal{P}_S$  which belong to a bad configuration, but we will think of discarding the configurations themselves, and speak, for instance, of the measure of a set  $\mathcal{F}$  of configurations when we mean the probability that  $\mathcal{P}_S$  belongs to some  $F \in \mathcal{F}$ .

For an instance  $\mathcal{P}_S$  of the Poisson process in  $S$ , let  $F(\mathcal{P}_S)$  be the configuration it belongs to. There will be two types of bad configuration in total.

**Type A.** These are configurations which contain a cell  $Q_i$  with  $d(Q_i) > N^2/21$ . (We may assume that 21 divides  $N$  so that  $N^2/21$  is an integer.) In this case  $Q_i$  contains at least  $k/21$  points. Lemma 5 shows that the probability  $p_A$  that we have such a cell anywhere in

$S$  is bounded by

$$\begin{aligned} p_A &\leq (MN)^2 \mathbb{P}(\text{Po}(k/N^2) \geq k/21) \\ &\leq (MN)^2 e^{k/N^2(N^2/21 - 1 - (N^2/21) \log(N^2/21))} \\ &< (MN)^2 e^{k(1 - \log(N^2/21))/21} = o(e^{-9k}), \end{aligned}$$

as long as  $N > (21e^{190})^{1/2}$ .

**Type B.** We consider the set  $\Sigma$  of circles whose centres are centres of cells and which pass through at least one other centre of a cell of our tiling. Clearly,  $\Sigma$  contains at most  $(MN)^4$  circles. For each  $\Gamma \in \Sigma$ , let  $R_\Gamma$  be the set of cells  $Q_i$  that lie entirely within distance  $\frac{5}{2}\ell\sqrt{2}$  of  $\Gamma$ , where  $\ell = \sqrt{k}/N$  is the side length of the cells. Type B configurations are those for which, for some  $\Gamma \in \Sigma$ ,

$$\frac{k}{N^2} \sum_{Q_i \in R_\Gamma} d(Q_i) \geq \frac{\varepsilon k}{2}. \quad (3)$$

Write  $c(\Gamma)$  and  $r(\Gamma)$  for the centre and radius of  $\Gamma$ , and let  $\Gamma^t$  be the circle with centre  $c(\Gamma)$  and radius  $r(\Gamma) + t$ . Then since length  $|S \cap \Gamma^t| \leq |\partial S| = 4M\sqrt{k}$  for all  $t \geq -r(\Gamma)$ , we see that the area  $|R_\Gamma|$  of each  $R_\Gamma$  is at most

$$|R_\Gamma| \leq \int_{-5\ell/\sqrt{2}}^{+5\ell/\sqrt{2}} (S \cap \Gamma^t) dt \leq \int_{-5\ell/\sqrt{2}}^{+5\ell/\sqrt{2}} 4M\sqrt{k} dt = (5\ell\sqrt{2})(4M\sqrt{k}) < 30Mk/N.$$

Thus each  $R_\Gamma$  contains at most  $30MN$  cells. Therefore, if (3) holds for some  $R_\Gamma$ , then that  $R_\Gamma$  contains at least

$$\frac{\varepsilon k}{2} - \frac{30Mk}{N^2} = k \left( \frac{\varepsilon}{2} - \frac{30M}{N^2} \right)$$

points. Thus for  $N \geq N_1(\varepsilon, M) = (180M/\varepsilon)^{1/2}$ , the  $R_\Gamma$  chosen above must contain at least  $\frac{\varepsilon k}{3}$  points. Thus by Lemma 5 the probability  $p_B$  that  $\mathcal{P}_S$  belongs to a Type B configuration is bounded by

$$\begin{aligned} p_B &\leq (MN)^4 \mathbb{P}(\text{Po}(30Mk/N) \geq \varepsilon k/3) \\ &\leq (MN)^4 e^{\frac{30Mk}{N} \left( \frac{\varepsilon N}{90M} - 1 - \frac{\varepsilon N}{90M} \log\left(\frac{\varepsilon N}{90M}\right) \right)} \\ &< (MN)^4 e^{\frac{\varepsilon k}{3} \left( 1 - \log\left(\frac{\varepsilon N}{90M}\right) \right)} = o(e^{-9k}), \end{aligned}$$

as long as  $N \geq N_2(\varepsilon, M)$ . We shall also assume  $N > N_3(\varepsilon, M) = 2M^2/\varepsilon$  for the next lemma.

**Lemma 8.** *Suppose that  $F$  is a good configuration, that  $Q_1$  and  $Q_2$  are two cells in  $S$ , and that  $\mathcal{P}$  and  $\mathcal{P}'$  are two point sets belonging to  $F$ . If there is no edge in  $G_{S,k}(\mathcal{P})$  from any vertex in  $Q_1$  to any vertex in  $Q_2$ , then there is no edge in  $G_{S,k(1-\varepsilon)}(\mathcal{P}')$  from any vertex in  $Q_1$  to any vertex in  $Q_2$ .*

*Proof.* If either  $Q_1$  or  $Q_2$  is empty in  $\mathcal{P}$  then the same cell will be empty in  $\mathcal{P}'$ , so that in both cases there will be no edges from  $Q_1$  to  $Q_2$ . Otherwise, pick  $x_1 \in \mathcal{P} \cap Q_1$  and  $x_2 \in \mathcal{P} \cap Q_2$ . Suppose for a contradiction that there are  $y_1 \in \mathcal{P}' \cap Q_1$  and  $y_2 \in \mathcal{P}' \cap Q_2$  such that  $y_1 y_2 \in E(G_{k(1-\varepsilon)}(\mathcal{P}'))$ . Without loss of generality,  $y_2$  is one of the  $k(1-\varepsilon)$  nearest neighbours of  $y_1$ . Let  $z_1$  and  $z_2$  be the centre points of  $Q_1$  and  $Q_2$  respectively and let  $\ell = \frac{\sqrt{k}}{N}$  be the side length of the cells. Let  $d = \|z_1 - z_2\|$  be the distance between  $z_1$  and  $z_2$ . Now  $\|z_i - y_i\| \leq \frac{1}{2}\ell\sqrt{2}$ , and  $\|z_i - x_i\| \leq \frac{1}{2}\ell\sqrt{2}$ , so

$$B(x_1, \|x_2 - x_1\|) \subseteq B(x_1, d + \ell\sqrt{2}) \subseteq B(z_1, d + \frac{3}{2}\ell\sqrt{2})$$

and

$$B(y_1, \|y_2 - y_1\|) \supseteq B(y_1, d - \ell\sqrt{2}) \supseteq B(z_1, d - \frac{3}{2}\ell\sqrt{2})$$

where  $B(x, r)$  denotes the disc of radius  $r$  about the point  $x$ . Now, every cell that meets  $B(z_1, d - \frac{5}{2}\ell\sqrt{2})$  lies inside  $B(z_1, d - \frac{3}{2}\ell\sqrt{2})$ , and every cell that meets  $B(z_1, d + \frac{3}{2}\ell\sqrt{2})$  lies inside  $B(z_1, d + \frac{5}{2}\ell\sqrt{2})$ . Let  $R_0$  be the union of the cells meeting  $B(z_1, d - \frac{5}{2}\ell\sqrt{2})$  and let  $\Gamma \in \Sigma$  be the circle through  $z_2$  centred at  $z_1$ . Recall that  $R_\Gamma$  consists of all the cells strictly contained in  $B(z_1, d + \frac{5}{2}\ell\sqrt{2}) \setminus B(z_1, d - \frac{5}{2}\ell\sqrt{2})$ . Therefore

$$R_0 \subseteq B(y_1, \|y_2 - y_1\|) \quad \text{and} \quad B(x_1, \|x_2 - x_1\|) \subseteq R_0 \cup R_\Gamma.$$

But  $B(y_1, \|y_2 - y_1\|)$  (and hence  $R_0$ ) contains at most  $k(1-\varepsilon)$  points of  $\mathcal{P}'$  and  $R_\Gamma$  contains at most  $\varepsilon k/2$  points of  $\mathcal{P}'$ , since  $F$  is not of Type B. Thus  $R_0 \cup R_\Gamma$  contains at most  $k(1-\varepsilon/2)$  points of  $\mathcal{P}'$ . Since no cell has  $d(Q_i) = \infty$  (because  $F$  is not of Type A), this implies  $R_0 \cup R_\Gamma$  (and hence  $B(x_1, \|x_2 - x_1\|)$ ) contains at most

$$k(1-\varepsilon/2) + (1/N)|R_0 \cup R_\Gamma| \leq k(1-\varepsilon/2) + (1/N)M^2k < k$$

points of  $\mathcal{P}$ . Thus  $x_2$  is one of the  $k$  nearest neighbours of  $x_1$  in  $G_{S,k}(\mathcal{P})$ , contradicting the assumption that  $G_{S,k}(\mathcal{P})$  contains no edge between  $Q_1$  and  $Q_2$ .  $\square$

Let  $\mathcal{F}$  be a set of configurations. Write  $I(\mathcal{F})$  for the event that  $\mathcal{P}$  belongs to some  $F \in \mathcal{F}$ . Also, let  $\mathcal{G}$  be the set of good configurations.

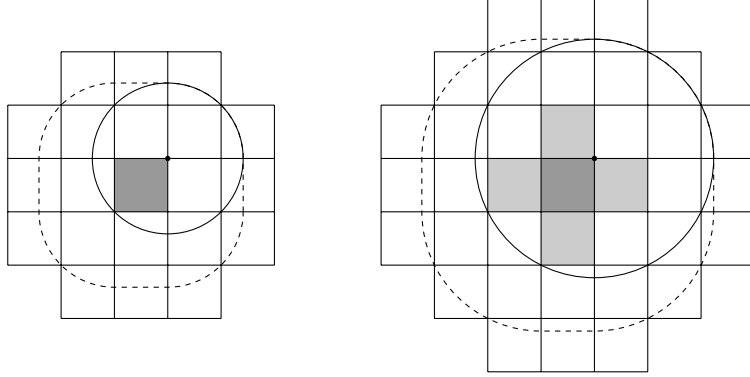


Figure 4: On the left, any point in the centre square is adjacent in  $G_{S,k}$  to any other point in the same square, provided there are not more than  $k$  points in the union of the 21 squares shown. On the right, any point in the centre square is adjacent in  $G_{S,k}$  to every point in its own square and every point in each of the 4 adjacent squares, provided there are not more than  $k$  points in the union of the 37 squares shown.

**Lemma 9.** *There is a subset  $\mathcal{Y} \subseteq \mathcal{G}$  of configurations such that*

$$A_k \cap I(\mathcal{G}) \subseteq I(\mathcal{Y}) \subseteq A'_{k(1-\varepsilon)} \cap I(\mathcal{G}).$$

*Proof.* Set

$$\mathcal{Y} = \{F \in \mathcal{G} : A_k \cap I(\{F\}) \neq \emptyset\},$$

so that

$$A_k \cap I(\mathcal{G}) \subseteq I(\mathcal{Y})$$

automatically holds. Suppose that  $\mathcal{P}$  belongs to a good configuration  $F$ . If  $A_k$  occurs then  $A'_{k(1-\varepsilon)}$  occurs for every  $\mathcal{P}'$  belonging to the same  $F$ . For suppose that  $\mathcal{P}$  is a point set for which  $A_k$  occurs, and let  $T$  be the set of cells of  $S$  containing a point of the component  $C$  lying within  $S'$ . Since  $F$  is not of Type A, there are less than  $k$  points within distance  $\ell\sqrt{2} = \sqrt{2k}/N$  of any point of  $\mathcal{P}$ , and hence any point of  $\mathcal{P}$  in any cell of our tiling is connected to all other points of  $\mathcal{P}$  in the same cell (see Figure 4). Hence there is no edge in  $G_{S,k}(\mathcal{P})$  from any cell of  $T$  to any cell of  $S \setminus T$ . By Lemma 8, for any  $\mathcal{P}'$  belonging to  $F$  there is thus no edge in  $G_{k(1-\varepsilon)}(\mathcal{P}')$  from any cell of  $T$  to any cell of  $S \setminus T$ . Therefore, there is some component contained in  $T$  in  $G_{k(1-\varepsilon)}(\mathcal{P}')$ . This component lies within the enlarged central region  $S''$  for the event  $A'_{k(1-\varepsilon)}$ , since  $\frac{3}{4}\sqrt{k(1-\varepsilon)} > \frac{1}{2}\sqrt{k} + \ell\sqrt{2}$  for  $\varepsilon < \frac{1}{2}$  and large  $N$ . Therefore,  $A'_{k(1-\varepsilon)}$  occurs for any  $\mathcal{P}'$  belonging to  $F$ .  $\square$

**Lemma 10.** *For any good configuration  $F$ ,  $\mathbb{P}(I(\{F\})) = e^{-(\theta_F + o(1))k}$  as  $k \rightarrow \infty$ , where  $\theta_F$  is some constant depending on  $F$ .*

*Proof.* By Lemma 3 the probability of there being exactly  $\rho_i(k/N^2)$  points in each cell  $Q_i$  is

$$\exp \left\{ \sum (\rho_i - 1 - \rho_i \log \rho_i) |Q_i| + O((MN)^2 \log((MN)^2 k)) \right\}$$

where we have used the fact that  $\rho_i(k/N^2) < k$ . To calculate the probability of the configuration  $F$  occurring, we sum over all possible values of each  $\rho_i$  consistent with the specified value of  $d(Q_i)$ . Since there are at most  $N^2 k$  values of  $\rho_i$  for each  $i$ , we get

$$\mathbb{P}(I(\{F\})) = \exp \left\{ \sum (\tilde{\rho}_i - 1 - \tilde{\rho}_i \log \tilde{\rho}_i) |Q_i| + O((MN)^2 \log((MN)^2 k \cdot N^2 k)) \right\}$$

where  $\tilde{\rho}_i$  is the value of  $\rho_i$  that maximizes  $\rho_i - 1 - \rho_i \log \rho_i$ . (The sum is at least the maximum, and at most the number of terms  $(N^2 k)^{(MN)^2}$  times the maximum). Now let  $\rho'_i$  be the real number that maximizes  $\rho_i - 1 - \rho_i \log \rho_i$  in the range of densities consistent with  $d(Q_i)$  for any  $k$ , so  $\rho'_i = d(Q_i)$  when  $d(Q_i) \leq 1$  and  $d(Q_i) - 1/N$  when  $d(Q_i) > 1$ . Now  $|\rho_i - \tilde{\rho}_i| \leq N^2/k$  which tends to 0 as  $k \rightarrow \infty$ . Thus the difference between  $\tilde{\rho}_i - 1 - \tilde{\rho}_i \log \tilde{\rho}_i$  and  $\rho'_i - 1 - \rho'_i \log \rho'_i$  is  $o_k(1)$ . Hence

$$\mathbb{P}(I(\{F\})) = \exp \left\{ \sum (\rho'_i - 1 - \rho'_i \log \rho'_i) |Q_i| + o(M^2 k) \right\}$$

Setting  $\theta_F = -\sum (\rho'_i - 1 - \rho'_i \log \rho'_i)(1/N^2)$  gives the result.  $\square$

Lemma 10 implies

$$\mathbb{P}(I(\mathcal{Y})) = e^{-(\theta + o(1))k}$$

where

$$\theta = \min_{F \in \mathcal{Y}} \theta_F,$$

since, loosely speaking, the sum of a finite number of (essentially) exponential functions is (essentially) equal to the one among them with the least decay rate. Therefore, by Lemma 4, Lemma 7 and Lemma 9,

$$(4 + o(1))p_1(k(1 - \varepsilon)) \geq e^{-(\theta + o(1))k} \geq p_1(k) - o(e^{-9k}) = p_1(k)(1 - o(1)).$$

Finally,

$$\limsup_{k \rightarrow \infty} f_1(k) = \limsup_{k \rightarrow \infty} -\frac{\log((4 + o(1))p_1(k(1 - \varepsilon)))}{k(1 - \varepsilon)} \leq \frac{\theta k}{k(1 - \varepsilon)} = \frac{\theta}{1 - \varepsilon},$$

and

$$\liminf_{k \rightarrow \infty} f_1(k) = \liminf_{k \rightarrow \infty} -\frac{\log(p_1(k))}{k} \geq \frac{\theta k}{k} = \theta,$$

By letting  $\varepsilon \rightarrow 0$  we see that  $f_1(k)$  converges to a limit  $c_1$ .

Now we turn to  $c_2$ . We may reuse the same configurations and good configurations to obtain a version of Lemma 9 (with an almost identical proof) with  $A_k$  and  $A'_{k(1-\varepsilon)}$  replaced by  $B_k$  and  $B'_{k(1-\varepsilon)}$  respectively. Lemma 4, Lemma 7 and Lemma 9 now give, for some  $\theta' = \theta'(\varepsilon)$ ,

$$(2 + o(1))(p_1(k(1-\varepsilon)) + p_2(k(1-\varepsilon))) \geq e^{-(\theta'+o(1))k} \geq p_2(k) - o(e^{-9k}) = p_2(k)(1 - o(1)).$$

Hence

$$(4 + o(1)) \max\{p_1(k(1-\varepsilon)), p_2(k(1-\varepsilon))\} \geq p_2(k)(1 - o(1)),$$

and so

$$\limsup_{k \rightarrow \infty} \min\{f_1(k), f_2(k)\} \leq \min\left\{\frac{\theta'}{1-\varepsilon}, c_1\right\},$$

and

$$\liminf_{k \rightarrow \infty} \min\{f_1(k), f_2(k)\} \geq \min\{\theta', c_1\}.$$

By letting  $\varepsilon \rightarrow 0$  we see that  $\min\{f_1(k), f_2(k)\}$  converges to a limit  $c_2$ .

## 2 Proof of main theorem

Write  $c_{\text{crit}} = \max\{\frac{1}{c_1}, \frac{1}{2c_2}\}$ .

**Theorem 11.** *If  $c < c_{\text{crit}}$  and  $k = \lfloor c \log n \rfloor$  then  $\mathbb{P}(G_{n,k} \text{ is connected}) \rightarrow 0$  as  $n \rightarrow \infty$ . If  $c > c_{\text{crit}}$  and  $k = \lfloor c \log n \rfloor$  then  $\mathbb{P}(G_{n,k} \text{ is connected}) \rightarrow 1$  as  $n \rightarrow \infty$ .*

*Proof.* We prove the lower bound first. Suppose that  $c < c_{\text{crit}}$  and  $k = \lfloor c \log n \rfloor$ . We place  $\Theta(n/\log n)$  disjoint squares  $S$  (of area  $M^2k$ ) in the interior of  $S_n$ , and we place  $\Theta(\sqrt{n/\log n})$  disjoint squares  $R$  (also of area  $M^2k$ ) along the boundary of  $S_n$ , with the squares  $R'$  lying along the boundary of  $S_n$ . Let  $\mathcal{P}$  be a Poisson process of intensity one in  $S_n$ , and consider the restriction of  $\mathcal{P}$  to one of the squares  $S_1$ . With probability  $e^{-(c_1+o(1))k}$ ,  $S_1$  now contains a small component near its centre, and, by choice of  $M$ , such a component would almost certainly remain a component in  $G_{n,k}$ . The probability that none of the

squares  $S$  contains a small component (in the respective restricted graph) near its centre is

$$\begin{aligned} p_{\text{fail}} &= (1 - e^{-(c_1+o(1))k})^{An/\log n} \\ &< \exp\{-A(n/\log n)e^{-(c_1+o(1))k}\} \\ &\leq \exp\{-An^{1-o(1)-(c_1+o(1))c}\} \rightarrow 0, \end{aligned}$$

by independence, if  $cc_1 < 1$ .

Note that if  $c_1 = c_2$ , we are done. Suppose then that  $c_2 < c_1$ , and consider the restriction of  $\mathcal{P}$  to one of the squares  $R_1$ . With probability  $e^{-(c_2+o(1))k}$ ,  $R_1$  now contains a small component in its region  $R'_1$ , and, again by choice of  $M$ , such a component would remain a component in  $G_{n,k}$ . The probability that none of the squares  $R$  contains a small component (in the respective restricted graph) lying in  $R'$  is

$$\begin{aligned} p_{\text{fail}} &= (1 - e^{-(c_2+o(1))k})^{B(n/\log n)^{1/2}} \\ &< \exp(-B(n/\log n)^{1/2}e^{-(c_2+o(1))k}) \\ &\leq \exp(-Bn^{1/2-o(1)-(c_2+o(1))c}) \rightarrow 0, \end{aligned}$$

by independence, as long as  $cc_2 < 1/2$ . Hence, if either  $cc_1 < 1$  or  $cc_2 < 1/2$ , i.e., for  $c < c_{\text{crit}}$ ,  $G_{n,k}$  will be asymptotically almost surely disconnected.

For the upper bound, suppose that  $c > c_{\text{crit}}$  and that  $k = \lfloor c \log n \rfloor$ . For notational simplicity, we assume that  $c_2 < c_1$ . From the proof of Theorem 13 in [1], the probability that  $G_{n,k}$  contains a component of geometric diameter  $O(\sqrt{\log n})$  within distance  $O(\sqrt{\log n})$  of a corner of  $S_n$  is  $n^{o(1)}3^{-k}$ , which tends to 0 as  $n \rightarrow \infty$ . Suppose then that there exists such a small component  $H$  far from a corner. One can tile  $S_n$  with  $\Theta(n/\log n)$  overlapping squares  $S$  and the boundary of  $S_n$  with  $\Theta(\sqrt{n/\log n})$  overlapping squares  $R$  such that  $H$  lies in one of the regions  $S'$  or  $R'$  of these tiles. (In the overlapping scheme, the centres of the  $S$ -tiles form a lattice with horizontal and vertical spacing  $\frac{1}{4}M\sqrt{k}$ , and the boundary of the  $R$ -tiles that contain 0 lie on the perimeter of  $S_n$ , at intervals of  $\frac{1}{4}M\sqrt{k}$ .) Therefore, the probability of such a component  $H$  arising is at most the expected number of tiles for which  $A_k$  (for an  $S$ -tile) or  $B_k$  (for an  $R$ -tile) occurs. But for  $c > c_{\text{crit}}$ , this expectation is equal to

$$A(n/\log n)e^{-(c_1+o(1))k} + B(n/\log n)^{1/2}e^{-(c_2+o(1))k} = o(1).$$

Hence  $G_{n,k}$  is asymptotically almost surely connected.  $\square$

## References

- [1] P. Balister, B. Bollobás, A. Sarkar and M. Walters, *Connectivity of random  $k$ -nearest neighbour graphs*, *Advances in Applied Probability* **37** (2005), 1–24.
- [2] F. Xue and P.R. Kumar, *The number of neighbors needed for connectivity of wireless networks*, *Wireless Networks* **10** (2004), 169–181.